

## iStudio

### Professional Docking Station for iPad with Audio, Video and MIDI Connectivity

- Complete and high-quality Music Studio for iPad (3rd generation), iPad 2, and iPad
- Connect your microphones, instruments and audio sources to virtually any audio/MIDI app
- Optional battery operation for mobile applications (batteries not included)
- Attach to any standard mic, music or drum stand via mounting bracket (P16-MB not included)
- Core Audio/MIDI compatible including MIDI SysEx for use with any iOS App
- Versatile I/O functionality with adjustable headphone output and direct monitoring control
- Separate Video output for connecting your iPad to TVs and projectors
- Standard MIDI I/O plus USB-to-host connectors for ultimate MIDI connectivity
- iPad powering and battery charging via the iSTUDIO dock
- Ergonomic design layout – all control elements on top panel with headphone connector on front
- Slide-in access for mating with iPad dock connector suitable for iPad (3rd generation), iPad 2, and iPad
- Universal switch-mode power supply with country-specific wall socket adapter included
- High-quality components and exceptionally rugged construction ensure long life
- Conceived and designed by BEHRINGER Germany



You've got the music in you, and you've got an iPad... Looking for the best way to connect mics, instruments, MIDI devices and even external computers and TVs? Meet iStudio, the easily transportable, mountable docking station for iPad with the power to connect the music inside you to your favorite music making app.

#### HOME BASE

iStudio gives you more ways to connect microphones, guitars and basses, MIDI devices, line level sources and even record players to get the job done and keep the battery of your iPad charged. Light up the big screen with what's transpiring on your iPad through the included Video Out connector while sending the audio to your powered speakers for the ultimate home studio experience!

#### Born to Run

Do you spend lots of time on the go with your iPad? iStudio is the soul mate of every musician's iPad. At a mere 12" x 8.5" and less than 3" deep, iStudio travels well to help you capture the ideas when they strike. Can't find a power outlet? iStudio runs on 8 AA batteries (not included) so you can avoid down time or just get away from all the distractions.

#### MIDI for All Seasons

Connect virtually any external MIDI sound module to iStudio's MIDI input, and start communicating with it via your iPad – including SysEx messaging! Connect your favorite MIDI controller to the MIDI output to get additional tactile responsiveness out of the MIDI-capable apps of your iPad.

*Continued on next page*



# iStudio

## Front Panel

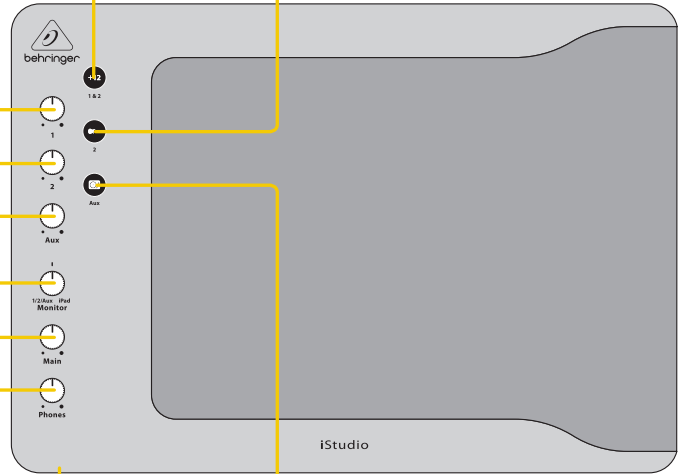
1 & 2 button activates +12 V phantom power on microphone inputs 1 & 2

Guitar/Bass Hi-Z button (input 2)

## Value

When it comes to making music on an iPad, having the right connections is the name of the game. Try the iStudio once and you'll wonder how you ever got along without it. Order online or check it out at your authorized BEHRINGER dealer today.

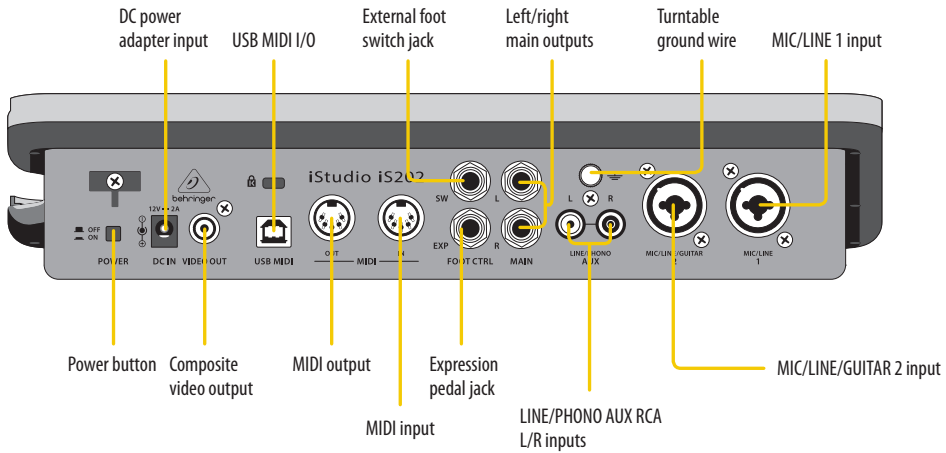
- Input gain control for channel 1
- Input gain control for channel 2
- Aux input gain control
- Monitor output control
- Main output control
- Phones output control



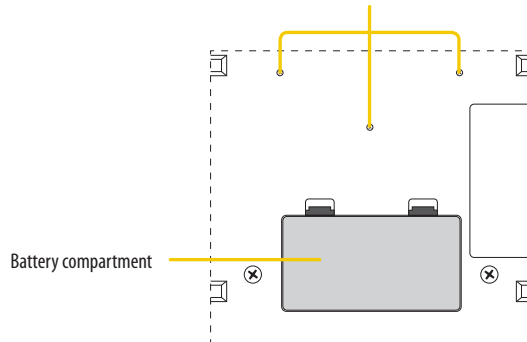
1/8" phones output

Aux button for when a turntable is connected to the Line/Phono Aux inputs

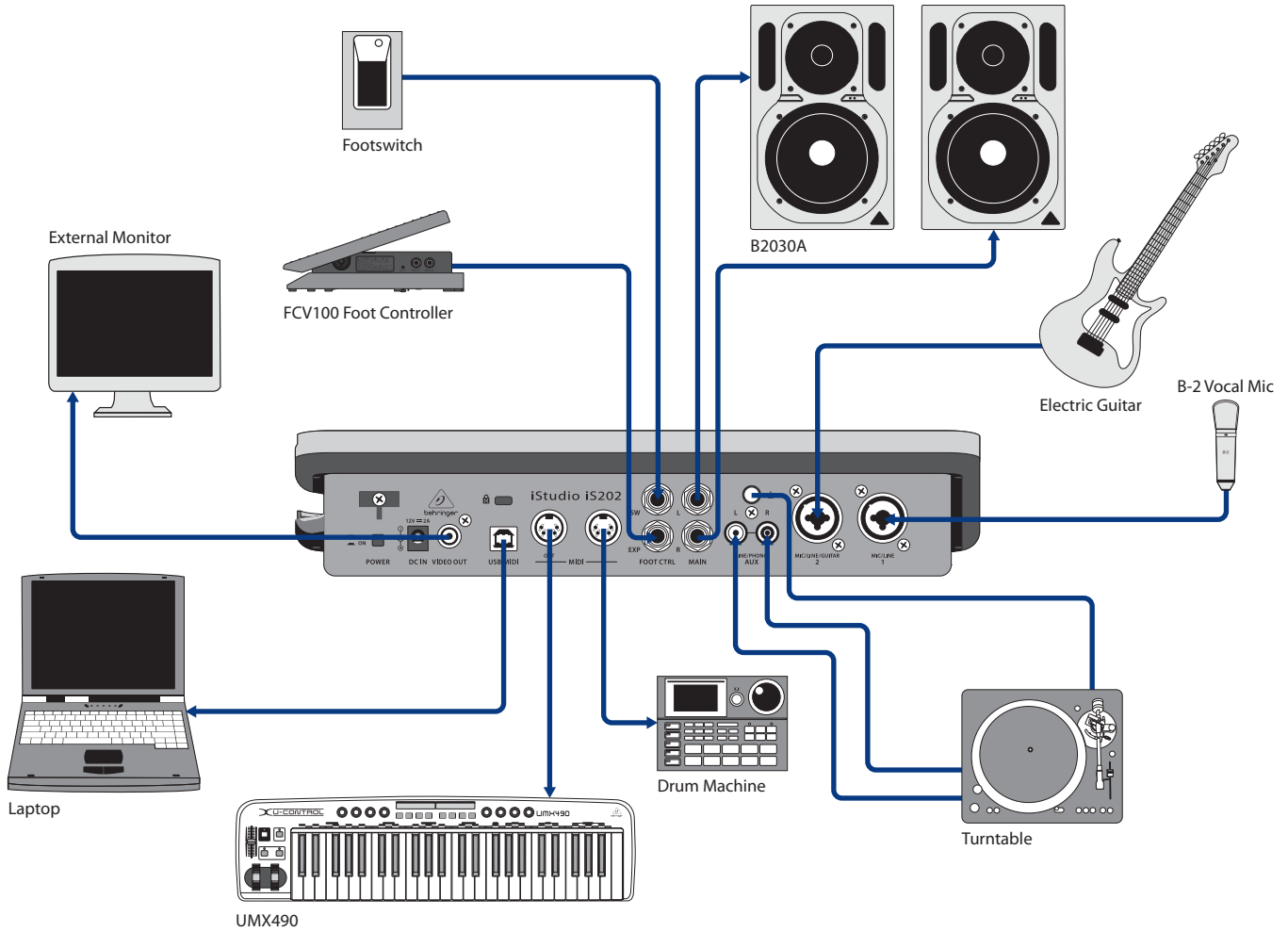
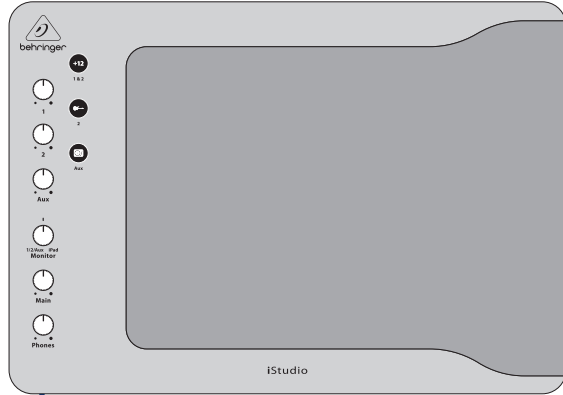
## Rear Panel



P16-MB mounting plate for connecting iStudio to microphone, music or drum stands



# iStudio Hook-up



# iStudio

## Specification

### Microphone Input

Type	2 combination XLR / ¼" TRS connectors, balanced
Gain control range	25 dB to 55 dB
Max. input level	-7 dBu @ 25 dB gain
Impedance	2.6 kΩ balanced
Phantom power	+12 V, switchable

### Line Input

Type	2 combination XLR / ¼" TRS connectors
Gain control range	0 dB to 30 dB
Max. input level	16 dBu @ 0 dB
Impedance	40 kΩ balanced, 20 kΩ unbalanced

### Guitar Input

Type	1 combination XLR / ¼" TRS connector (input 2 only, switchable)
Gain control range	0 dB to 30 dB
Max. input level	16 dBu @ 0 dB gain
Impedance	1 MΩ

### Aux In

Type	2 RCA connectors, unbalanced
Gain control range	-∞ to 0 dB (Line) / -∞ to 52 dB (Phono)
Max. input level	+22 dBu (Line) / -40 dBu (Phono)
Impedance	47 kΩ

### Main Out

Type	2 ¼" TRS connectors, balanced
Level control range	-∞ to 6 dB
Max. output level	13 dBu
Impedance	240 Ω balanced, 120 Ω unbalanced

### Phones Out

Type	1/8" TRS connector, stereo
Level control range	-∞ to 6 dB
Max. output level	16 dBu
Impedance	150 Ω

### Video Out

Type	Composite, RCA connector
------	--------------------------

### MIDI I/O

1 in / 1 out (5-Pin DIN), USB Type B,  
MIDI SysEx implementation

### Foot Control

Type	1 x ¼" TS connector (Switch), 1 x ¼" TRS connector (Expression)
------	--

### iPad Interface

Type	Apple 30-pin dock connector Compatible with iPad (3rd generation), iPad 2, and iPad
------	--

### Power

DC In	2 A @ 12 V
Battery operation & duration	8 x 1.5 Volt (Type "AA") 6 hours of use (for rechargeable batteries @ 1800 mAh) 2 hours of use (for alkaline batteries @ 600 mAh)

### Dimensions

Dimensions (W x D x H)	12 x 8.5 x 2.9" 305 x 216 x 75 mm
Weight	2.2 lbs / 1 kg (without external power supply, without iPad)

Please note these specifications are preliminary and conceptual in nature, and as such are subject to change as product development progresses. This information is supplied for market research purposes only and is not to be made public in any manner. This document is solely the property of The MUSIC Group, or one of its subsidiaries, and must be surrendered upon request of the owner.

## Made For

- iPad (3rd generation), iPad 2, and iPad

iPad, Software and Batteries not included

## Trademarks

"Made for iPad" means that an electronic accessory has been designed to connect specifically to iPad, and has been certified by the developer to meet Apple performance standards. Apple is not responsible for the operation of this device or its compliance with safety and regulatory standards. Please note that the use of this accessory with iPad may affect wireless performance.

iPad is a trademark of Apple Inc., registered in the U.S. and other countries.



For service, support or more information contact the BEHRINGER location nearest you:

**Europe**  
MUSIC Group Services UK  
Tel: +44 156 273 2290  
Email: CARE@music-group.com

**USA/Canada**  
MUSIC Group Services NV Inc.  
Tel: +1 702 800 8290  
Email: CARE@music-group.com

**Japan**  
MUSIC Group Services JP K.K.  
Tel.: +81 3 6231 0454  
Email: CARE@music-group.com

Technical specifications and appearances are subject to change without notice and accuracy is not guaranteed. BEHRINGER is part of the MUSIC Group (music-group.com). All trademarks are the property of their respective owners. MUSIC Group accepts no liability for any loss which may be suffered by any person who relies either wholly or in part upon any description, photograph or statement contained herein. Colors and specifications may vary from actual product. MUSIC Group products are sold through authorized fulfillment and resellers only. Fulfillment and resellers are not agents of MUSIC Group and have absolutely no authority to bind MUSIC Group by any express or implied undertaking or representation. This manual is copyrighted. No part of this manual may be reproduced or transmitted in any form or by any means, electronic or mechanical, including photocopying and recording of any kind, for any purpose, without the express written permission of MUSIC Group IP Ltd. ALL RIGHTS RESERVED. © 2012 MUSIC Group IP Ltd. Trident Chambers, Wickhams Cay, P.O. Box 146, Road Town, Tortola, British Virgin Islands. 985-10000-00400